



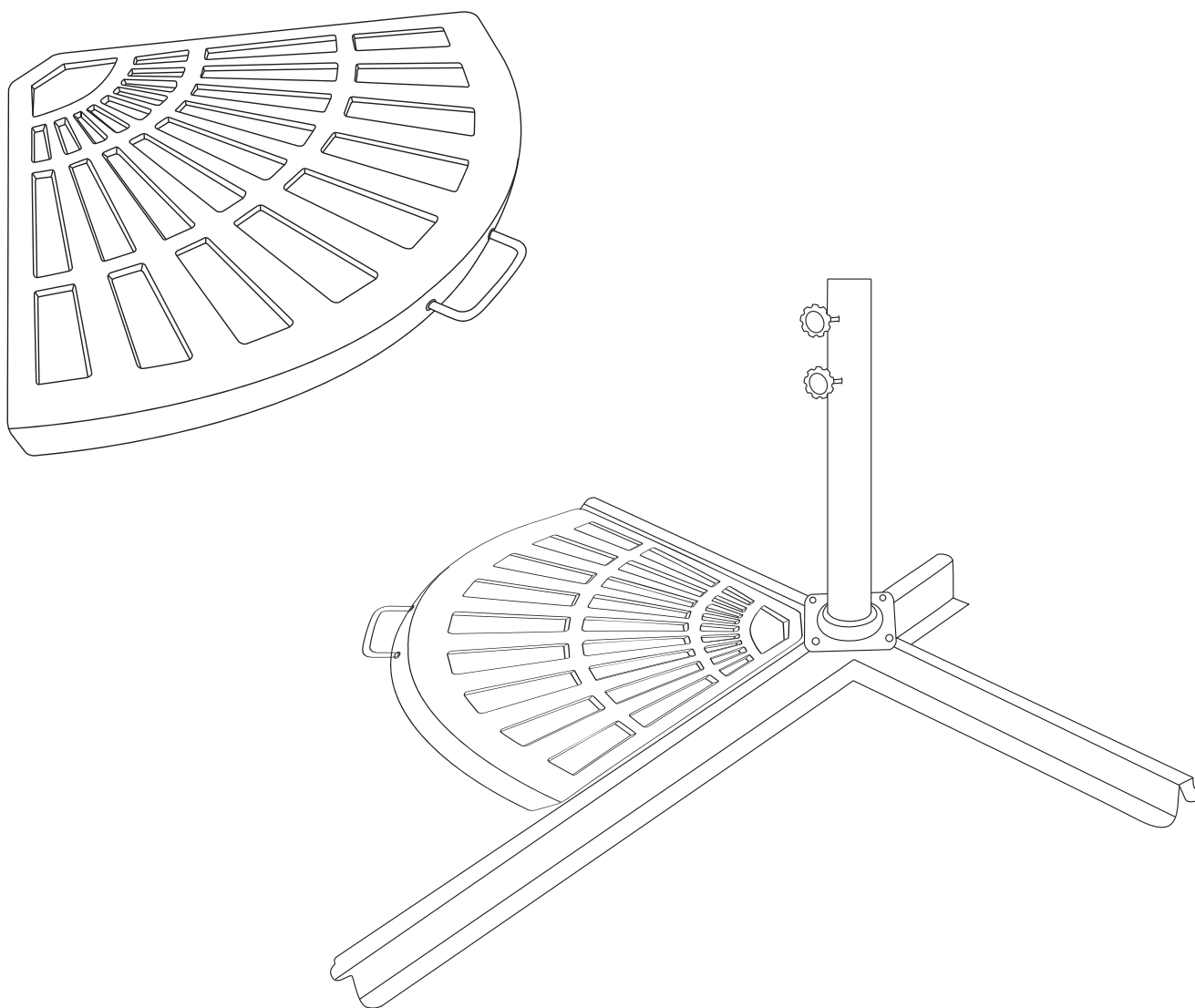
PURE GARDEN

PATIO AND GARDEN ESSENTIALS

Customer Service

Contact us through our website:
www.TeamCustomerService.com

If you have a question about assembly use or a possible missing part,
please contact us and we will be glad to assist you.



Up to 4 weights can be used in each corner of the crossbar base of the Offset
Patio Umbrella for maximum stability, with total weight of 106 pounds.